

# XD6

MINI PILING RIG



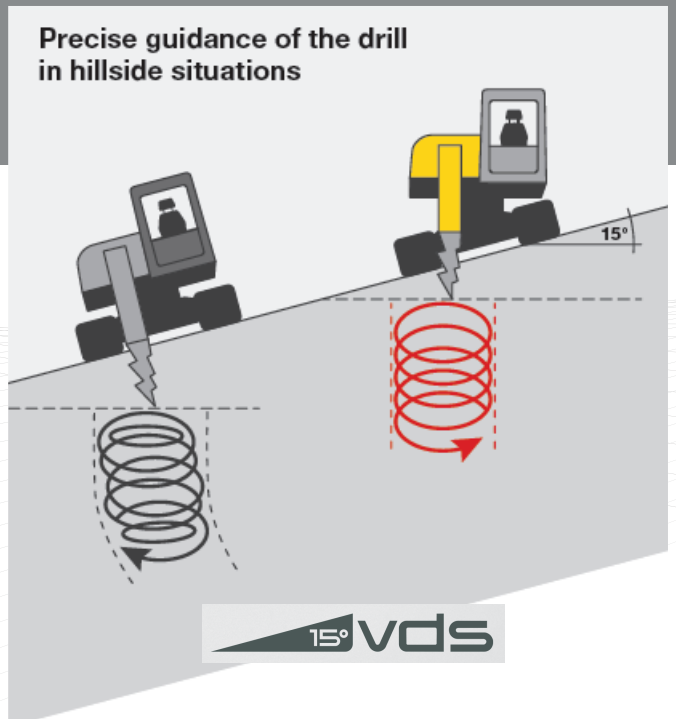
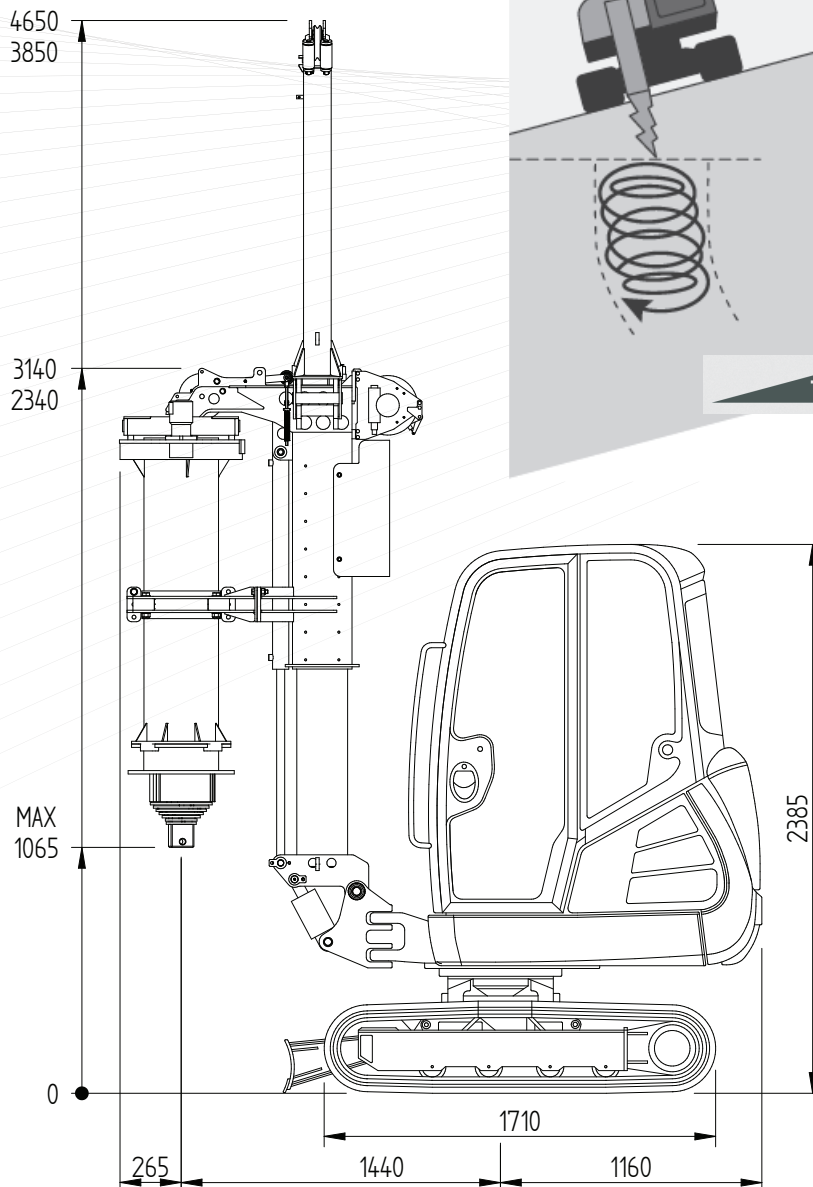
# XD6

## MINI PILING RIG

**XD series machines are the smallest hydraulic piling rigs in the world. They are designed to work in extremely tight spaces, limited headroom and jobsites difficult to access for any other standard piling rig. The minimum working height is 2.6 m (8.5') and the minimum width 0.99 m (3.25').**

Despite the compact size, the XD series is equipped with all the features of larger rigs, such as depth meter, spin off speed, auxiliary winch and winch limit switches.

The always perfect verticality is guaranteed by the combination of the movements secured by the VDS Vertical Digging System, the blade and the hydraulic cylinder that tilt longitudinally the mast. A hydraulic cylinder and the interlocking Kelly bar provide the crowd force necessary to overcome harder soils.

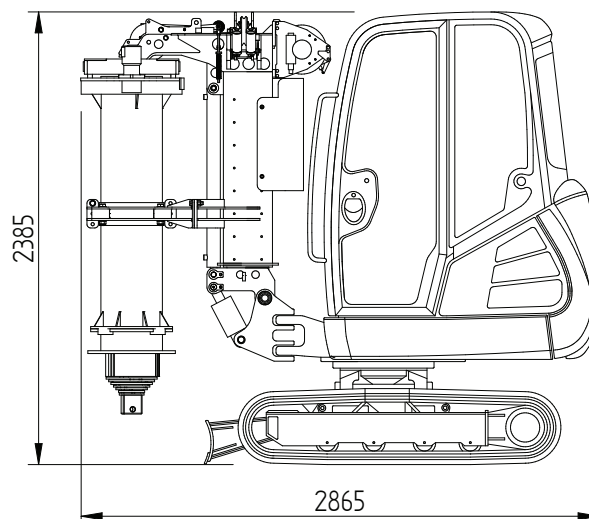


# XD6

## TECHNICAL DATA SHEET

BASE		WAKER NEUSON ET20
Engine	<i>type</i>	Yanmar Tier4f
Engine power	<i>kW (hp)</i>	13.4 (18.2)
Undercarriage lenght	<i>mm - ft</i>	1.710 - 5.6
Width over tracks	<i>mm - ft</i>	990 ÷ 1.300 - 3.25 ÷ 4.3
Shoe width	<i>mm - in</i>	230 - 9
HYDRAULIC SYSTEM		
Main pump	<i>l/min</i>	47.6
Auxiliary pump	<i>l/min</i>	19
Hydraulic pressure	<i>bar</i>	200
MAST		
Forward inclination	<i>deg</i>	7.5
Backward inclination	<i>deg</i>	3.5
Lateral inclination	<i>deg</i>	0 ÷ 15
Mast vertical stroke	<i>mm - ft</i>	800 - 2.6
ROTARY		
Nominal torque	<i>kNm - lbf ft</i>	6 - 4.420
Drilling speed	<i>rpm</i>	20 ÷ 40
Spin off speed	<i>rpm</i>	40
WINCHES		
Main winch line pull	<i>kN - lbf</i>	12 - 2.700
Aux winch line pull	<i>kN - lbf</i>	6 - 1.350
CROWD SYSTEM		
Pull down force	<i>kN - lbf</i>	15 - 3.370
Extraction force	<i>kN - lbf</i>	25 - 5.620
EXCAVATION		
Max pile diameter	<i>mm - in</i>	500 - 20
Max pile depth	<i>m - ft</i>	11.5- 37.7
Min working height	<i>mm - ft</i>	2.600 - 8.5
TRANSPORT		
Lenght	<i>mm - ft</i>	2.865 - 9.4
Width	<i>mm - ft</i>	990 - 3.25
Height	<i>mm - ft</i>	2.385 - 7.8
Weight	<i>kg - lbs</i>	2.900 - 6.390

Technical Specifications are subject to change without prior notice.







Via Campoceraso 13 - 60027 OSIMO (AN) ITALY

Tel: +39 0717131953 - Fax: +39 071715199  
geax.it - info@geax.it