

DTC50 H110



DRILLING EQUIPMENT

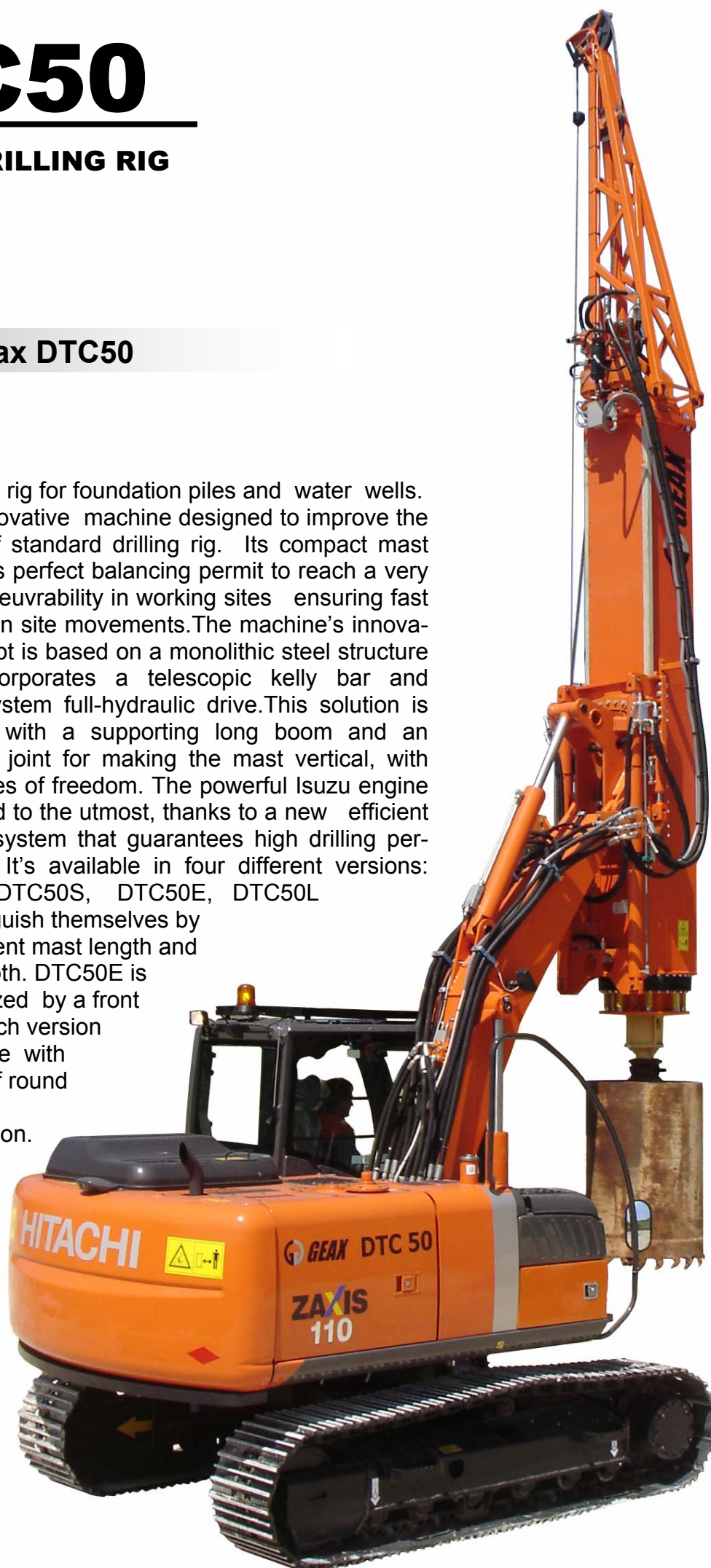


DTC50

HYDRAULIC DRILLING RIG

The Geax DTC50

Is a drilling rig for foundation piles and water wells. It is an innovative machine designed to improve the concept of standard drilling rig. Its compact mast and its perfect balancing permit to reach a very high manoeuvrability in working sites ensuring fast and safe on site movements. The machine's innovative concept is based on a monolithic steel structure which incorporates a telescopic kelly bar and rotation system full-hydraulic drive. This solution is combined with a supporting long boom and an articulated joint for making the mast vertical, with two degrees of freedom. The powerful Isuzu engine is exploited to the utmost, thanks to a new efficient hydraulic system that guarantees high drilling performance. It's available in four different versions: DTC50, DTC50S, DTC50E, DTC50L that distinguish themselves by their different mast length and drilling depth. DTC50E is characterized by a front dozer. Each version is available with kelly bar of round or square cross-section.

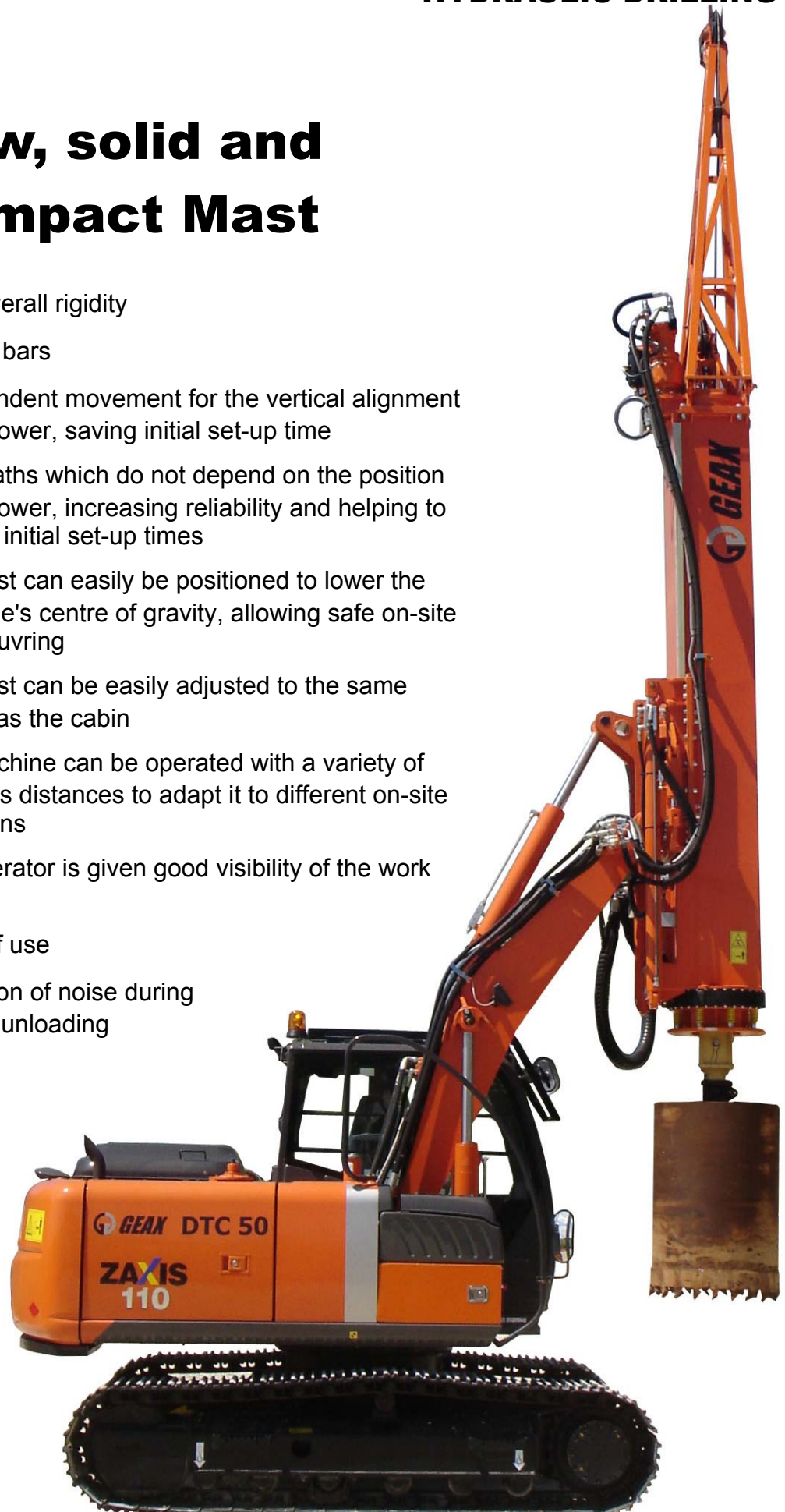


DTC50

HYDRAULIC DRILLING RIG

A new, solid and compact Mast

- high overall rigidity
- guided bars
- independent movement for the vertical alignment of the tower, saving initial set-up time
- rope paths which do not depend on the position of the tower, increasing reliability and helping to reduce initial set-up times
- the mast can easily be positioned to lower the machine's centre of gravity, allowing safe on-site manoeuvring
- the mast can be easily adjusted to the same height as the cabin
- the machine can be operated with a variety of tool axis distances to adapt it to different on-site situations
- the operator is given good visibility of the work area
- ease of use
- reduction of noise during bucket unloading



DTC50

HYDRAULIC DRILLING RIG

TECHNICAL FEATURES

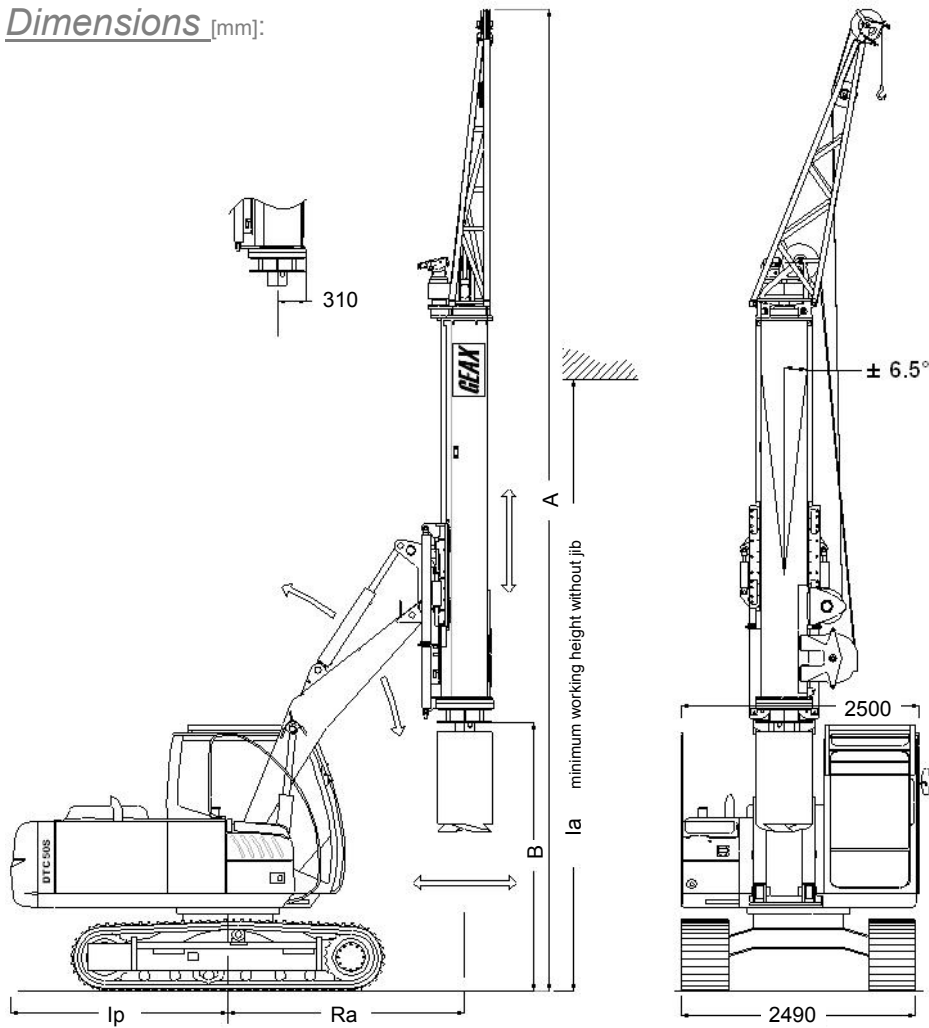
Base	<i>Hitachi Zaxis 110- 3</i>
Undercarriage length	3340 mm/ 10.96 ft
Undercarriage width	2490 mm / 8.17 ft
Shoe	500 mm / 1.64 ft
Engine type	ISUZU AJ-4JJ1X
Engine power	69 kW / 93 hp
Mast	
Side rake	± 6,5°
Stroke	1600 mm / 5.25 ft
Telescopic kelly bar	<i>square-circular</i>
Square connection	100 - 120 - 130 mm / 3.93 - 4.72 - 5.19 in
Max pile depth	
mod.DTC50	23,4 m / 76.78 ft - (19,5 m / 64 ft with interlocking bar)
mod.DTC50S	25,5 m / 83.64 ft - (21 m / 68.88 ft with interlocking bar)
mod.DTC50E (version with front dozer)	25,5 m / 83.64 ft - (21 m / 68.88 ft with interlocking bar)
mod.DTC50L	29 m / 95.14 ft - (25 m / 82 ft with interlocking bar)
Max pile diameter	1200 mm / 3.93 ft
Rotary	<i>Hydraulic</i>
Max nominal torque	4700 daNm / 34,028 lb _f ft
Drilling speed	12-50 rpm
Spin off speed	50 rpm
Winches	<i>Hydraulic</i>
Main winch line pull	8000 daN / 17,985 lb _f
Auxiliary winch line pull	2500 daN / 5,620 lb _f
Hydraulic system	
n.2 piston pumps	Portata : 2 X 110 l/min / flow : 2 X 24.2gal _(UK) /min
n.1 auxiliary pump	Portata : 33 l/min / flow : 7.26 gal _(UK) /min
Weight	
mod.DTC50	14500 kg / 31,967 lb
mod.DTC50S	15000 kg / 33,070 lb
mod.DTC50E (version with front dozer)	15500 kg / 34,162 lb
mod.DTC50L	16500 kg / 36,376 lb

Technical data are indicative and subject to change without notice.

DTC50

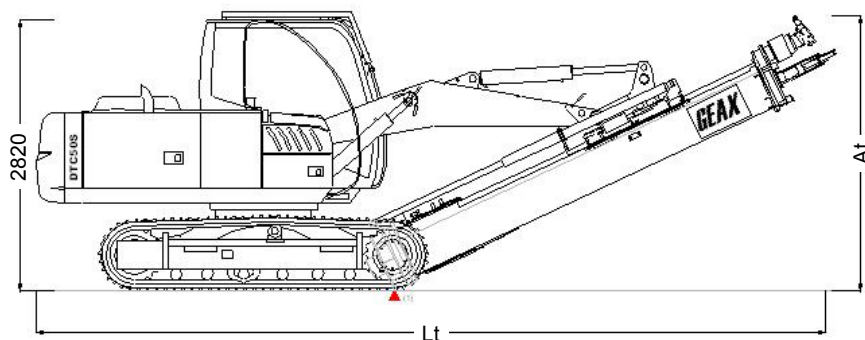
HYDRAULIC DRILLING RIG

Dimensions [mm]:



WORKING CONDITION

[mm] [feet]	Transport condition		Working condition				
	Lt	At	A typical	B	la	Ra	lp
DTC50	7600 24.9	2820 9.2	10000 32.8	0 - 3000 0 - 9.8	6200 20.3	1700 - 3000 5.6 - 9.8	2130 7.0
DTC50S	8130 26.7	2820 9.2	10500 34.4	0 - 3250 0 - 10.7	6500 21.3	1700 - 3200 5.6 - 10.5	2310 7.6
DTC50E	8130 26.7	2820 9.2	10500 34.4	0 - 3250 0 - 10.7	6500 21.3	1700 - 3200 5.6 - 10.5	2310 7.6
DTC50L	8600 28.2	3000 9.8	11000 36.1	0 - 3000 0 - 9.8	7000 23.0	1700 - 3000 5.6 - 9.8	2310 7.6



TRANSPORT CONDITION

DTC50

HYDRAULIC DRILLING RIG

Photogallery :



DTC50

HYDRAULIC DRILLING RIG



BORN TO WORK



GEAXs.r.l.

Drilling equipment
via Campoceraso n.11
60027 Osimo (AN) Italy
tel. +39 071 715199
<http://www.geax.it>
info@geax.it